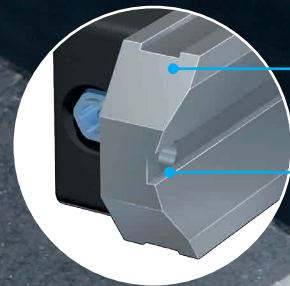




Built-in display:
Angle (mm/m, degree)

Direction of angle



Base:
Precision grinded prismatic base.

Two holes for personal adaptations and brackets.



Functions:
Zeroing and halving of value.



Use your iPhone, iPod or iPad as display!

With our free app Precision Level you can follow the alignment from the place where you adjust the machine, and document your measurement.

Digital precision level

Measure straightness, flatness, level and parallelism.

E290

THE PERFECT ADDITION TO LASER ALIGNMENT

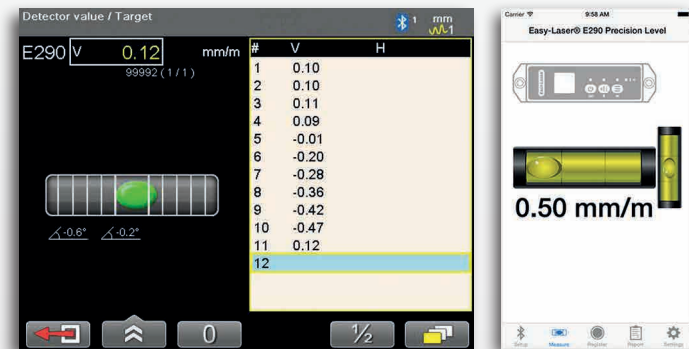
Digital levels are extremely useful tools for setting-up and aligning most types of machine, for example, levelling machine tables, rolls, bases, etc. Other areas of use include checking straightness, flatness and parallelism. Easy-Laser® E290 now also offers the possibility of documenting the work, by wirelessly connecting to your Easy-Laser® alignment system. Today, documentation is a common client requirement.

E290 is the perfect addition to laser based alignment systems and is an investment that can be recouped quickly thanks to the broad areas of use.

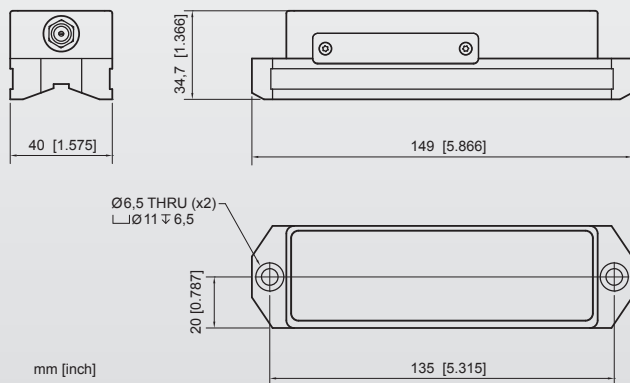
Accuracy is guaranteed by the precision-ground, hardened steel base. Easy-to-read OLED display and a rechargeable battery make it easy to use. Two mounting holes allow for your own adaptations and fixtures.

CONNECT TO A SEPARATE DISPLAY UNIT

Using a separate display unit (accessory) makes it all even easier, as you can read off and follow the adjustment at the precise point on the machine where the adjustment is made. The measurement values can be documented and transferred to PC, for further completion of a measurement report. For iPhone/iPad/iPod touch a free app is available, displaying live values and with documentation possibilities.



Digital and graphical view on the Easy-Laser® display unit and on iPhone.



TECHNICAL DATA

Easy-Laser® E290 Digital Precision Level (Complete kit), Part No. 12-0857	
1	Digital Precision Level
1	Manual on USB stick
1	Charger (100–240 V AC) with cable
1	Carrying case, WxHxD: 270x225x80 mm [10.6"x8.8"x3.1"]

Digital Precision Level	
Resolution	0.01 mm/m (0.001°)
Range	± 2 mm/m
Measurement error	Better than ± 0.02 mm/m
Displayed units	mm/m, degrees, mils/thou, arcsec
Type of display	OLED
Communication	BT wireless technology
Environmental protection	IP Class 67
Operating temperature	-10–50 °C
Internal battery	Li Po
Material	Hardened steel, ABS plastics
Dimensions	WxHxD: 149x40x35 mm [5.9x1.6x1.4"]
Weight	530 g [18.7oz]

*The E290 can be used as a separate tool, but will also work connected wireless with the Values program in the display unit of the Easy-Laser® systems, and with compatible mobile units from other manufacturers.



Precision prismatic base of hardened steel.



Legs for measurement on cylindrical surfaces with diameters larger than 55 mm. Accessory, Part No. 12-0901.

Easy-Laser® is manufactured by Easy-Laser AB, Alfagatan 6, SE-431 49 Mölndal, Sweden
 Tel +46 31 708 63 00, Fax +46 31 708 63 50, e-mail: info@easylaser.com, www.easylaser.com
 © 2017 Easy-Laser AB. We reserve the right to make changes without prior notification.

Easy-Laser® is a registered trademark of Easy-Laser AB. Apple, the Apple logo, iPhone, and iPod touch are trademarks of Apple Inc., registered in the U.S. and other countries. App Store is a service mark of Apple Inc. Other trademarks belong to their respective owners. This product complies with: EN60825-1, 21 CFR 1040.10 and 1040.11. This device contains FCC ID: PVH0946, IC: 5325A-0946.
 Documentation ID: 05-0787 Rev3

CAUTION
LASER RADIATION
DO NOT STARE INTO BEAM
CLASS 2 LASER PRODUCT

CE

ISO
9001
CERTIFIED

3
YEAR
WARRANTY

GLOBAL
SUPPORT



dB Vib Instrumentation
 Montée de Malissol
 38200 VIENNE
 Tél. 04 74 16 18 80 – Fax 04 74 16 18 89
 Siret 435 015 698 00028